



ROLEC

ZURA

Intelligent EV charging unit



Designed &
Manufactured
in the UK

ZURA

Intelligent EV charging unit

Versatile, sophisticated and packed with the most-wanted smart features, along with never-seen-before customisable aesthetics. ZURA has been designed for both homes and businesses, providing up to 22kW superfast charging.

This OCPP compliant unit offers plug & charge or pay-to-charge solutions via a mobile app or RFID operation through any OCPP back-office management system.

This EV charger supports dynamic load balancing and is equipped with PME fault detection, with no requirement for an earth rod, reducing installation costs.

Available with single or dual outlets, making it ideal for businesses and households with more than one EV, or that are looking to future-proof. Domestic users can also charge using their solar PV or other home renewables for a zero-cost, zero-carbon charge.



Product features

- Suitable for both domestic and commercial installations
- Plug & charge, mobile app or RFID controlled charging
- 1x or 2x universal charging socket(s) or Type 2 tethered lead(s)
- Up to 7.4kW or 22kW charging output(s)
- PME fault detection (no earth rod required)
- Dynamic load balancing (CT clamp & cable included*)
- Solar PV, battery storage or wind turbine integration
- OCPP 1.6 compliant (integrates with any chargepoint management system)
- Over-the-air firmware / software updates
- AC 30mA Type A & DC 6mA protection**
- Dual tamper and breach security notifications
- Cable lock security feature (can be permanently locked by user)
- Integrated RFID reader
- MID-approved energy metering
- 4G / Wi-Fi / Ethernet connectivity
- Strong and durable IP54 / IK08 rated
- Independent back plate for easy wall or post mounting
- OZEV grant fundable (UK only)
- Designed & manufactured in the UK



*Single Phase models only, Three Phase models require optional CT kit ACSR0325

**DC 6mA protection for single outlet models



OCPP 1.6 compliant

Ability to integrate with any OCPP compliant chargepoint management system and app.



Easy to operate

Three quick and easy ways to operate: mobile app, RFID cards and fobs or plug & charge.



Funding options available

Speak to us about flexible EV infrastructure investment opportunities.



4G / Wi-Fi / Ethernet enabled

Complete with secure 4G, Wi-Fi and Ethernet connectivity, ensuring chargers are always online 24/7.



Branding & colour options available

Rolec offers a bespoke chargepoint branding service; from logos & brand colours, to vinyl wraps.



No earth rod required

Equipped with built-in PME fault detection, saving installation time and costs.

The details

UP TO 22kW

Available in both single phase and three phase models, providing up to 22kW superfast charging.

Choose from single or dual outlet models, allowing two vehicles to charge simultaneously. Single outlet units can be upgraded to dual in the future.*

CHARGE FOR FREE!

Sync your solar PV, battery storage or wind turbine setup to benefit from sustainable, zero-cost, zero-carbon charging.

Smart integration enabled, connect with your home energy management systems to optimise energy usage across your home.

ACCURATE BILLING

Built-in MID-approved energy metering ensures accurate consumption reporting, which is essential for businesses and residential car parks, wishing to bill for their usage. Use our back-office management platform to generate revenue by setting your own tariffs.



SAFE AND SECURE

Rest assured, ROLEC's entire EV chargepoint range is fully UK Smart Charge Point Regulation compliant.

Over-the-air updates allow the chargers to receive the very latest features, ensuring a safe and future-proof product 24/7.

3 YEAR WARRANTY

ROLEC EV chargepoints are designed, developed and manufactured in the UK and come with a 3 year warranty included as standard, for added peace of mind on your investment.

*Single phase models only

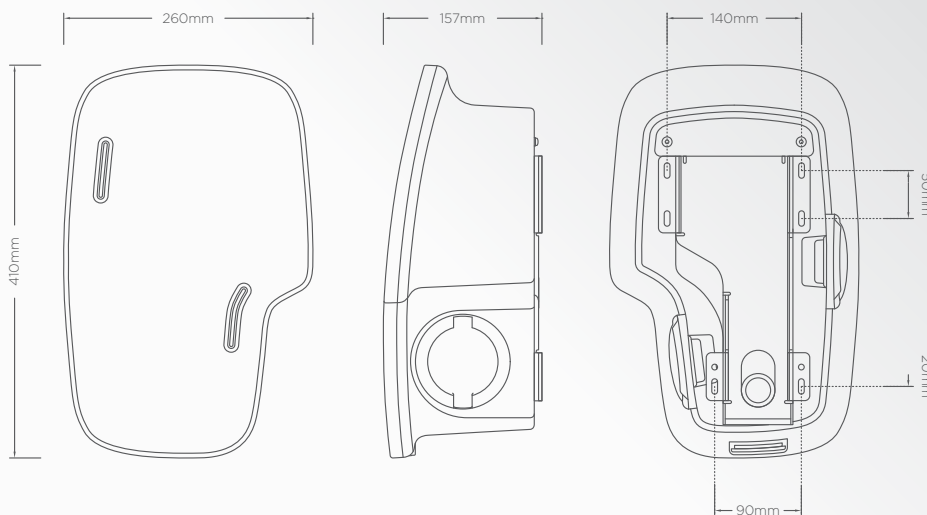
Specifications

Product Overview

	Connection Type	Charging Output	Input Supply	Fascia Colour	Product Code
Single Phase Units	1x Universal charging socket	Up to 7.4kW (32A)	1x Up to 32A Single Phase* 230V AC (±10 %) 50/60Hz	● Black	ROLEC3020B
	2x Universal charging sockets	Up to 7.4kW (32A) per socket	1x Up to 63A Single Phase* 230V AC (±10 %) 50/60Hz	● Black	ROLEC3030B
	1x Type 2 5m tethered lead**	Up to 7.4kW (32A)	1x Up to 32A Single Phase* 230V AC (±10 %) 50/60Hz	● Black	ROLEC3140B
	2x Type 2 5m tethered leads**	Up to 7.4kW (32A) per tethered lead	1x Up to 63A Single Phase* 230V AC (±10 %) 50/60Hz	● Black	ROLEC3150B
	1x Type 2 10m tethered lead**	Up to 7.4kW (32A)	1x Up to 32A Single Phase* 230V AC (±10 %) 50/60Hz	● Black	ROLEC3145B
	2x Type 2 10m tethered leads**	Up to 7.4kW (32A) per tethered lead	1x Up to 63A Single Phase* 230V AC (±10 %) 50/60Hz	● Black	ROLEC3155B
Three Phase Units	1x Universal charging socket	Up to 22kW (32A)	1x Up to 32A Three Phase* 400V AC (±10 %) 50/60Hz	● Black	ROLEC3046B
	1x Type 2 5m tethered lead**	Up to 22kW (32A) per tethered lead	1x Up to 32A Three Phase* 400V AC (±10 %) 50/60Hz	● Black	ROLEC3156B

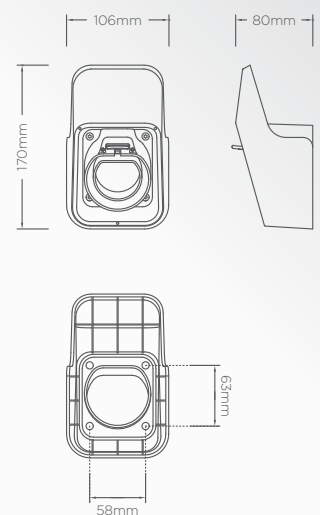
*Chargepoint(s) will downrate if the input supply is lower than the maximum charging output
 **5m tethered leads (approx. 4.5m external) 10m tethered leads (approx. 9.5m external)

Zura unit:







Type 2 charge gun holster:

Included with tethered units



Specifications

Technical Data

User Interface	<ul style="list-style-type: none"> • Mobile app • RFID reader (MIFARE ISO/IEC 14443 A) • Plug & charge • RGB LED status indicator halo(s) – configurable
Charge Protocol	Mode 3 (IEC 61851-1)
Built-in Protection	<ul style="list-style-type: none"> • Models ROLEC3020 / ROLEC3140 / ROLEC3145: DC fault protection, 6mA • Models ROLEC3030 / ROLEC3046 / ROLEC3150 / ROLEC3155 / ROLEC3156: Residual current protection – AC 30mA Type-A & DC 6mA • Lightning surge, over temperature protection • PME fault detection – No earth electrode/rod required • Supports automatic dynamic load balancing (may require additional hardware) • Supports static load management (software configurable)
Required External Protection	<ul style="list-style-type: none"> • Models ROLEC3020 / ROLEC3140 / ROLEC3145: AC overload & fault current protection – a suitably rated 30mA Type-A RCBO or equivalent protection is required at source (dependent on cable type and/or route) • Models ROLEC3030 / ROLEC3046 / ROLEC3150 / ROLEC3155 / ROLEC3156: Over current protection – a suitably rated MCB or Type-A 30mA device is to be installed at source (dependent on cable type and/or route) • Surge Protection – May be required depending on the installation
Cable Terminals	<ul style="list-style-type: none"> • Single Phase – 3x 50mm 1P + N + E • Three Phase – 5x 50mm 3P + N + E
Communications	<ul style="list-style-type: none"> • 4G LTE Cat-1 (built-in nano SIM, subscription required) <ul style="list-style-type: none"> • LTE FDD: B1/B3/B5/B7/B8/B20/B28 • GSM: B2/B3/B5/B8 • Wi-Fi 802.11 b/g/n 2.4 GHz (2412-2472 MHz / 2422-2462 MHz) • NFC 13.56 MHz • RJ45 Ethernet connection • Bluetooth Low Energy (BLE 4.1) 2402-2480 MHz (for installer configuration purposes) • OCPP 1.6J • Cyber security – Data encryption level TLS 1.2
Energy Metering	Integrated Class 1 MID compliant metering
Standby Power Consumption	< 7.5W (per outlet)
Dimensions	260mm x 410mm x 157mm (W x H x D)
Weight	< 5.5kg to < 13kg (model dependant)
Environmental	<ul style="list-style-type: none"> • Ingress protection – Enclosure IP65, Socket IP54 • Impact protection – IK08 • Security – Dual tamper and breach protection boundaries with notifications • Operating temperature – -30°C to +50°C • Operating humidity – 5% to 95%
Materials	<ul style="list-style-type: none"> • Unit & fascia – High impact resistant Polycarbonate • Mounting back plate – 1.5mm Steel with black powder coated finish • Rear bracket plate – 1.5mm 316 Stainless Steel
Unit Colour	 Black
Fascia Colour	 Black  Grey  White  Branded or fully customised fascias available
Certifications & Compliances	<ul style="list-style-type: none"> • EV Charging Compliance – EN 61851-1:2019, EN 61851-22:2002 • Smart Charge Points – (SI 2021/1467) • Wiring Regulations – BS 7671:2018+A2:2022 • EMC Compliance – EN 61000-6-3:2007+A1:2011, EN 61000-6-2:2005, 2014/30/EU, SI 2016/1091 • Safety Compliance (LVD) – EN 62368-1:2014, 2014/35/EU, SI 2016/1101 • Communications / RED – EN 62311:2008, 2014/53/EU, SI 2017/1206, EN 300 330 V2.1.1 (2017-02), EN 301 908-1 V15.1.1 (2021-09), EN 301 908-13 V13.2.1 (2022-02), EN 301 511 V12.5.1 (2017-03), EN 300 328 V2.2.2 (2019-07), EN 300 440 V2.2.1 (2018-07) • Environmental Protection – BS EN 60529:1992+A2:2013 • Impact Rating – BS EN 62262:2002+A1:2021 • Metering – 2014/32/EU, SI 2016/1153 • RoHS – 2011/65/EU, SI 2012/3032 • REACH – 1907/2006, REACH etc. (Amendment) Regulations 2021 • Certification Markings – CE & UKCA
Warranty	3 years

Options & accessories

Product Code	Item Description
RFID0010	RFID card
RFID0020	RFID fob
EVFP0035	Rolec universal mounting post (fits up to 2 chargers)
EVFP0080	Tethered holster plate for mounting post
EVCB0020	Root mount protection barrier - 48mm
EVCB0040	Surface mount protection barrier - 48mm
EVPS0010	EV parking sign - A4 landscape (Other sizes are available)
EVPP0100	5m 32A Type 2 to Type 2 charging cable
EVPP0107	10m 32A Type 2 to Type 2 charging cable
EVPP0105	5m 32A Three Phase Type 2 to Type 2 charging cable
EVPP0108	10m 32A Three Phase Type 2 to Type 2 charging cable (Other cables are available, including Type 1 options)
EVIN0010	20A Single Phase EV consumer unit with Type A RCBO
EVIN0015	40A Single Phase EV consumer unit with Type A RCBO
EVIN0070	20A Three Phase EV consumer unit with Type A RCBO
EVIN0075	40A Three Phase EV consumer unit with Type A RCBO
EVRS0030	Remote wall mount for Type 2 charge gun holster
ACSR0520	Perific fuse protection device - 3x 36mm current sensors
ACSR0530	Perific fuse protection device - 3x 100mm current sensors
ACSR0125	100A up to 35mm ² screened CT clamp with 10m cable
ACSR0325	3x 100A up to 35mm ² screened CT clamps with 10m cables
ZURA0100B	Zura EV charger front fascia plate - Black
ZURA0100G	Zura EV charger front fascia plate - Grey
ZURA0100W	Zura EV charger front fascia plate - White



TAP & CHARGE Remote payment terminal

Hassle-free transactions across multiple EV chargers. Ideal solution for commercial and public locations.

ROLEC5000



Brand names, logos and trademarks used herein remain the property of their respective owners. This listing of any firm or their logos is not intended to imply any endorsement or direct affiliation with Rolec Services Ltd. and is purely to demonstrate branding opportunities.

Chargepoint management & operation



Integrated with over 40 CPMS partners around the globe

Approved CMS partners:

-
-
-
-
-
-
-
-
-
-
-
-
-
-
-
-
-
-
-
-



Chargepoint operators

ROLEC EV chargepoints boast an array of intelligent features. When combined with any approved OCPP compliant chargepoint management system (CPMS), chargepoint operators will have the ability to deploy and self-manage their own public and/or private EV charging network. Ideal for workplace, fleet, commercial and residential locations.

- Businesses can easily manage their network of chargepoints
- Conveniently set chargers to be private or publicly accessible
- Offer pay-to-charge solutions and benefit from generating additional revenue
- Set custom & flexible tariffs for different customer or charger groups
- Access advanced features including dynamic load management (DLM)
- Users can operate chargepoints via mobile app, RFID, contactless payment (model dependent), or a remote contactless payment terminal (contact ROLEC for more information about the TAP & CHARGE solution)
- 24/7 support for users and operators of the chargepoints



NEED ADVICE?

Speak to a member of the team to find the right solution for you



Chargepoint users

Take full control of your EV charging experience and maximise the intelligent features of the chargepoint management system.

- Remotely control your home EV charging via mobile app
- Prioritise lower costs, lower CO₂ or only using renewable energy
- Schedule charges so your car is ready when you are
- Easily locate and navigate to public chargepoints via the road map
- 24/7 support for help when you need it most



Please Note: All chargepoint management and operation features are subject to the specified CPMS



THIS DOCUMENT CONTAINS INFORMATION THAT IS SUBJECT TO CHANGE WITHOUT NOTICE.
The latest version of this publication can be downloaded at www.rolecserv.com/downloads-ev-charging

Illustrations of the product and user interface are for marketing purposes only.

Brand names, logos and trademarks used herein remain the property of their respective owners.
This listing of any firm or their logos is not intended to imply any endorsement or direct affiliation with Rolec Services Ltd. and is purely to demonstrate branding opportunities.

© 2025 by Rolec Services Ltd. All rights reserved.
EVZD-V03-R1 Zura Data Sheet



Designed &
Manufactured
in the UK

ROLEC

t: 01205 724754
e: enquiries@rolecserv.co.uk

www.rolecserv.com

